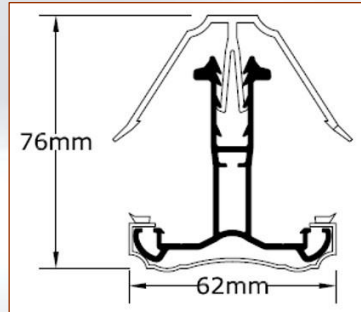


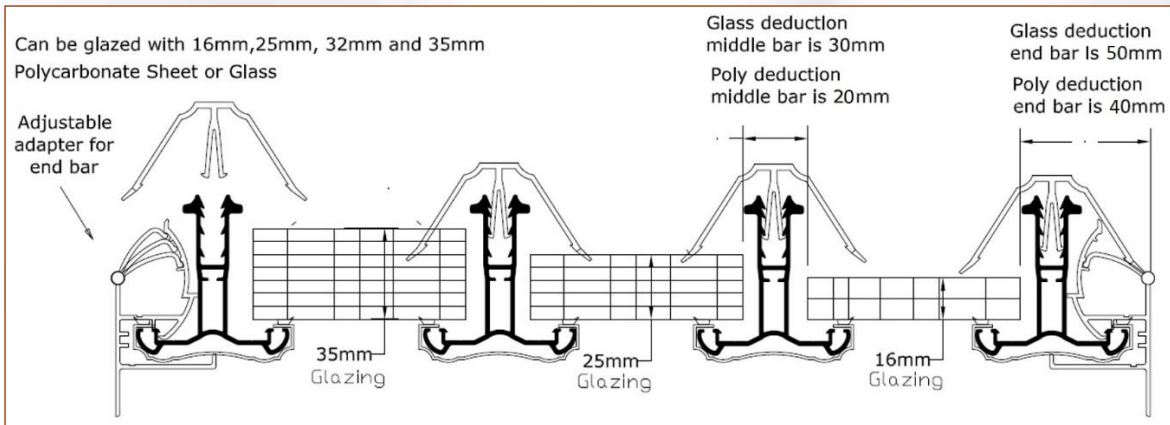
# PRODUCT DATA SHEET SELF SUPPORT ECONOMY GLAZING BAR

## GENERAL DESCRIPTION

The Self Support Economy Glazing Bar can be glazed with 16mm, 25mm, 32mm and 35mm polycarbonate sheeting or 24mm double glazed glass units. It is available in White, Rosewood, Golden Oak, Irish Oak, Black, Anthracite Grey and Chartwell Green.

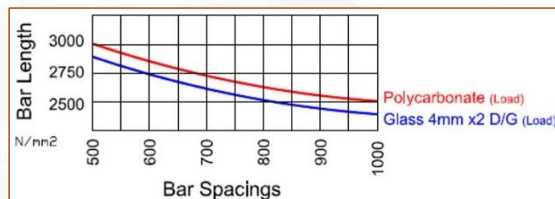


## ADDITIONAL PROFILES TO SUPPORT THE ECONOMY SELF SUPPORT RAFTER



## BAR SNOW LOADING

Deflection is calculated with a uniform load of 60Kg/m<sup>2</sup>.



The Self Support Economy Glazing Bar is supported both ends with a 622n/m<sup>2</sup> uniform load. The bar deflection is calculated at the centre of the roof.

