



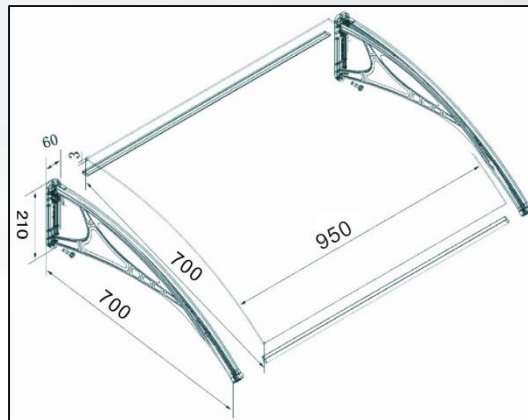
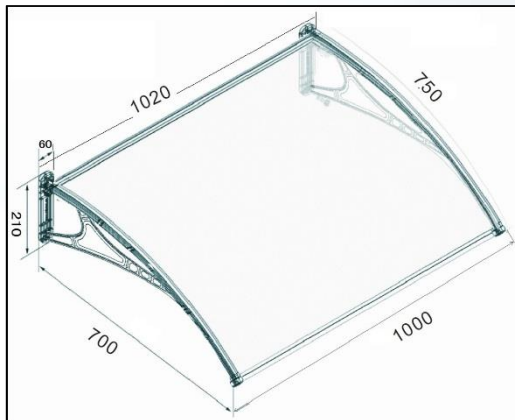
GENERAL DESCRIPTION

Miento 7, 1000mm wide x 700mm projection overdoor canopy with contemporary style plastic arms available in black and white or aluminium finish. 5mm twinwall glazing or 3mm solid glazing.

2 year guarantee.

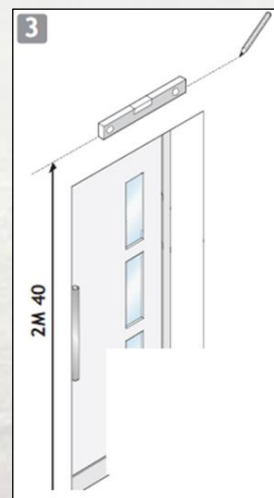
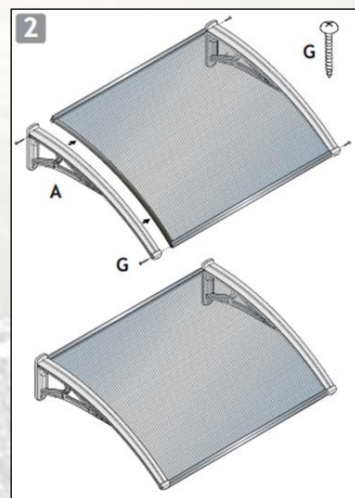
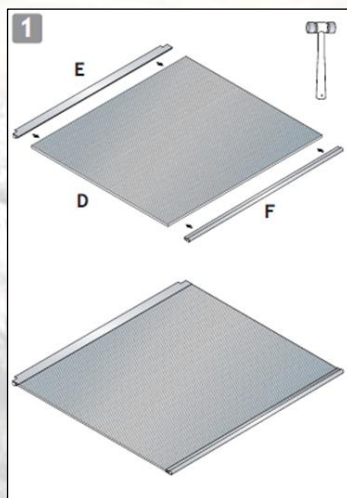
CANOPY ARMS	CANOPY GLAZING			
	Clear (5mm Twinwall)	Opal (5mm Twinwall)	Blue (5mm Twinwall)	Clear (3mm Solid)
Black	✓	✓		✓
White	✓	✓	✓	✓
Aluminium				✓

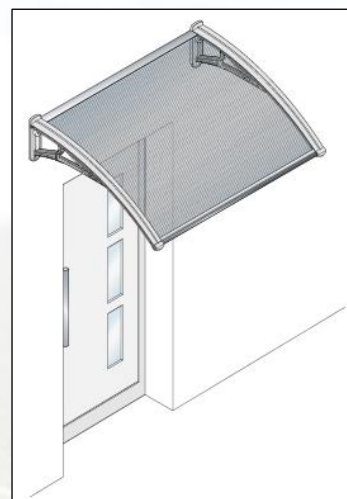
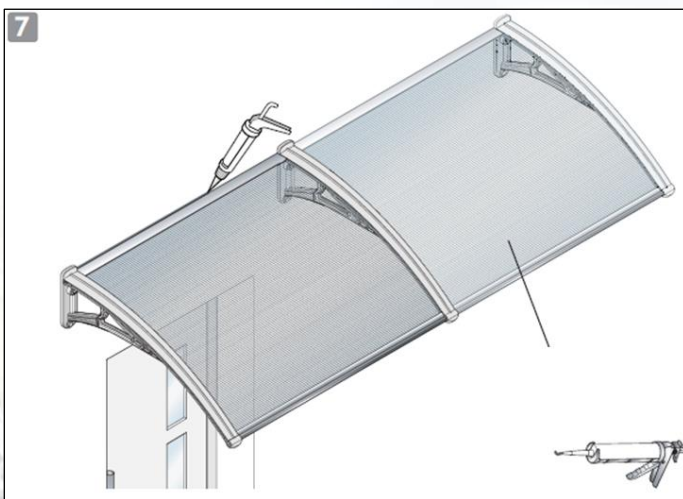
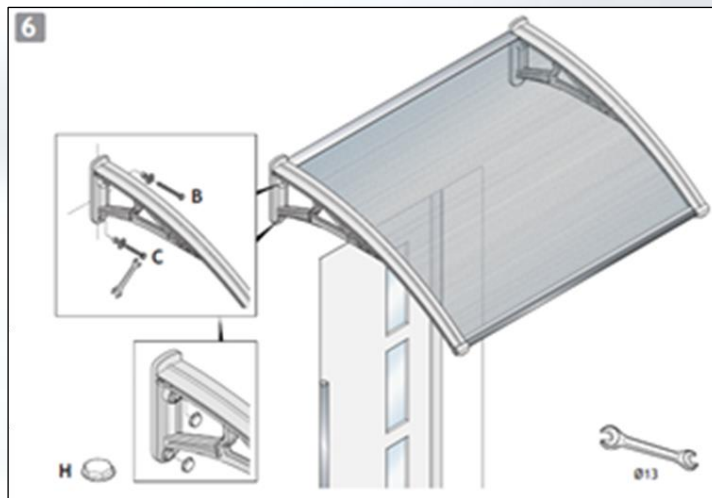
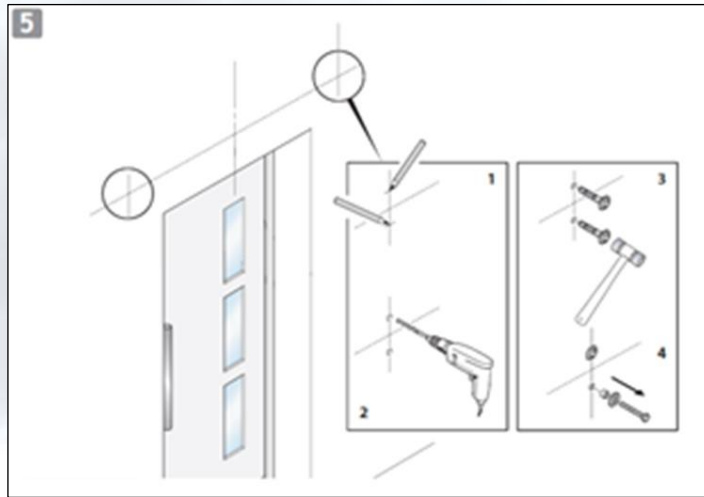
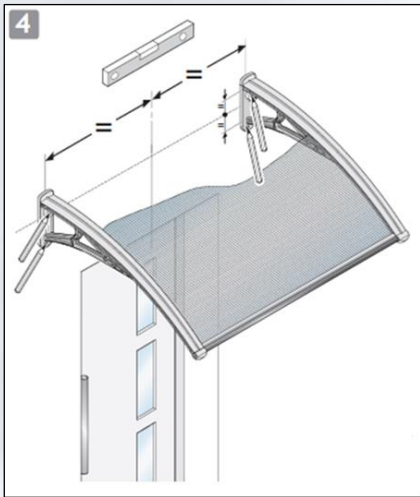
TECHNICAL DRAWINGS



INSTALLATION GUIDE

A copy of the fitting instructions are also included in the canopy packaging. Please note that the arrow on the polycarbonate glazing means that face up!





FREQUENTLY ASKED QUESTIONS

What is a Miento 7 Canopy?

A Miento 7 Canopy is an overdoor canopy.

What is a Miento 7 Canopy used for?

Miento 7 Canopies are used for providing shelter.

What is the best thing about a Miento 7 Canopy?

The best thing about a Miento 7 Canopy is it's easy to install and comes with fixings and instructions complete.

PDS 047
DOC080 (v1)

www.stormbuildingproducts.com



Why should end users use STORM's Miento 7 Canopies instead of a competitors?

End users should use STORM's Miento 7 Canopies instead of a competitors because we offer a range of glazing options including colour beamed options all from stock.

Who are the type of customers that commonly use Miento 7 Canopies (which industries/sectors/job types)

The type of customers to use this product would be DIY and home improvement sectors.

Where are Miento 7 Canopies most commonly installed?

Miento 7 Canopies are most commonly installed above doorways

When should a Miento 7 Canopy be considered and installed?

A Miento 7 Canopy should be considered and installed at any time.