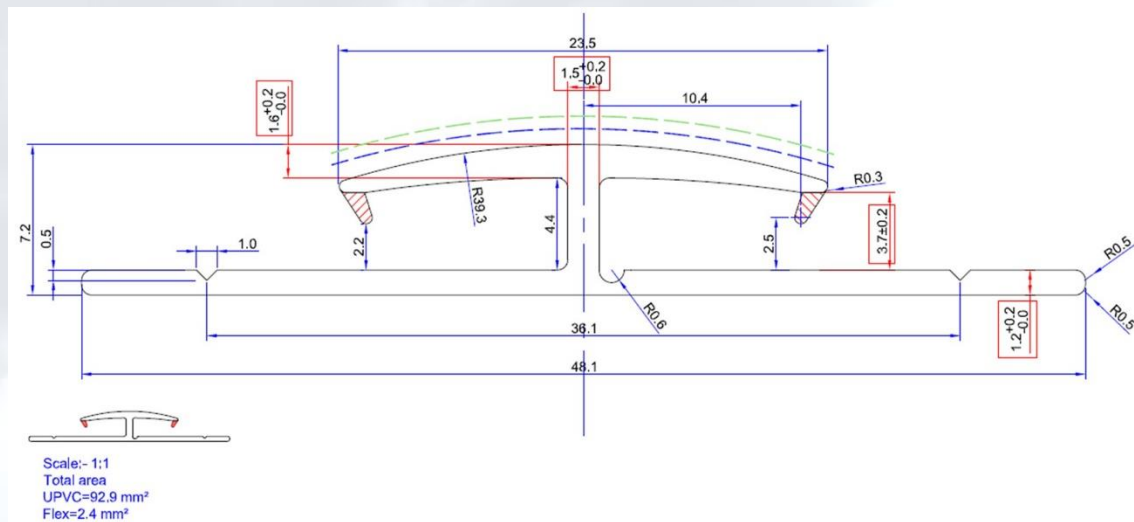


TECHNICAL DRAWING



FREQUENTLY ASKED QUESTIONS

What is a Division Bar?

A Division Bar is a joining profile for hygiene cladding.

What are Division Bars used for?

Division Bars are used for joining hygiene sheeting together.

What is the best thing about Division Bars?

The best thing about Division Bars is that they are simple and easy to use and install.

Why should end users use STORM's Division Bars instead of a competitors?

End users should use STORM's Division Bars instead of a competitors because they are packed singularly.

Who are the type of customers that commonly use Division Bars (which industries/sectors/job types)

The type of customer to use this product would be DIY and plumbers.

Where are Division Bars most commonly installed?

Division Bars are most commonly installed in washrooms.

When should a Division Bar be considered and installed?

Division Bars should be considered and installed when renovating bathrooms or wetrooms.