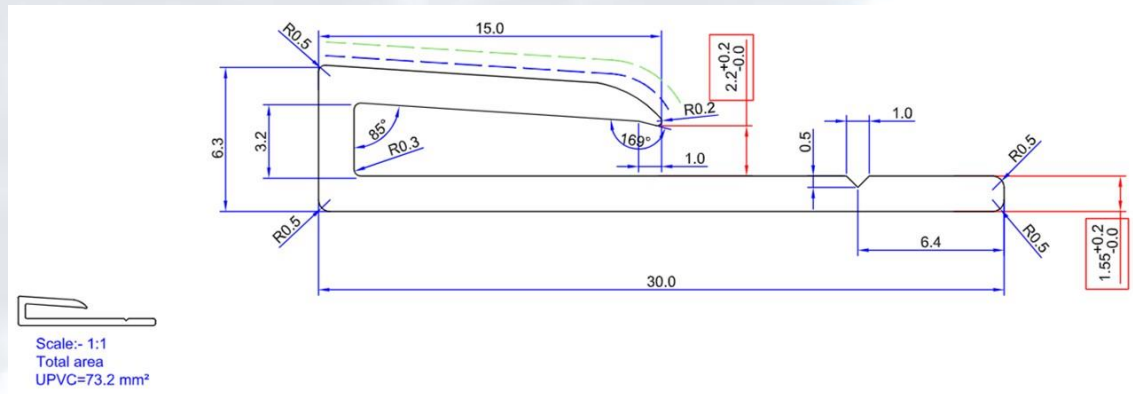


**TECHNICAL DRAWING**



**FREQUENTLY ASKED QUESTIONS**

**What is a Starter Trim?**

A Starter Bar is an edge trim for hygiene cladding.

**What are Starter Trims used for?**

Starter Bars are used start and finish hygiene cladding together.

**What is the best thing about Starter Trims?**

The best thing about Starter Bars is that they are simple and easy to use and install.

**Why should end users use STORM's Starter Trims instead of a competitors?**

End users should use STORM's Starter Bars instead of a competitors because they are packed singularly.

**Who are the type of customers that commonly use Starter Trims (which industries/sectors/job types)**

The type of customer to use this product would be DIY and plumbers.

**Where are Starter Trims most commonly installed?**

Starter Bars are most commonly installed in washrooms.

**When should a Starter Trim be considered and installed?**

Starter Bars should be considered and installed when renovating bathrooms or wetrooms.