



PRODUCT DATA SHEET

OUTDOOR LIVING



TRITON WPC DECKING

ABOUT TRITON WPC DECKING

WPC (Wood Plastic Composite) is a unique composition to replicate wood without the maintenance and hazards of traditional timber decking. 45% timber fibres + 55% HDPE and additives.

PHYSICAL DATA

PHYSICAL DATA	REQUIREMENTS	TEST RESULT
Hardness	> 58 HRR	61 HRR
Moisture Content	< 2%	0.3%
Modulus of Rupture	> 20 Mpa	40 Mpa
Modulus of Elasticity	> 1800 Mpa	3818 Mpa
Thickness of Swelling	> 1%	0.4%
Size of Change - Calefaction	$\pm 2.5\%$	- 0.10%
Resistance to Wear	< 0.08 g/100 r	0.077 g/100 r
Size Change H/L Temp.	$\pm 0.2\%$	- 0.10%
Screw Holding Capability	> 1000 N	3120 N

STANDARD – GB/T 24508-2009 WOOD PLASTIC COMPOSITE FREEZE THAW BENDING LOAD

PHYSICAL DATA	REQUIREMENTS	TEST RESULT
Resistance to Freeze Thaw	> 80%	92%
Bending Load	> 2500 N	3258 N

OVERALL TEST RESULTS

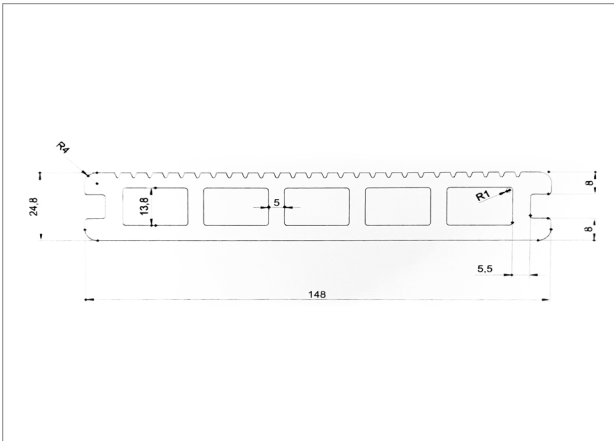
Mean PTV or PTV _{corr} (Dry)	86
Mean PTV or PTV _{corr} (Wet)	42
Slip Potential (Dry)	Low
Slip Potential (Wet)	Low



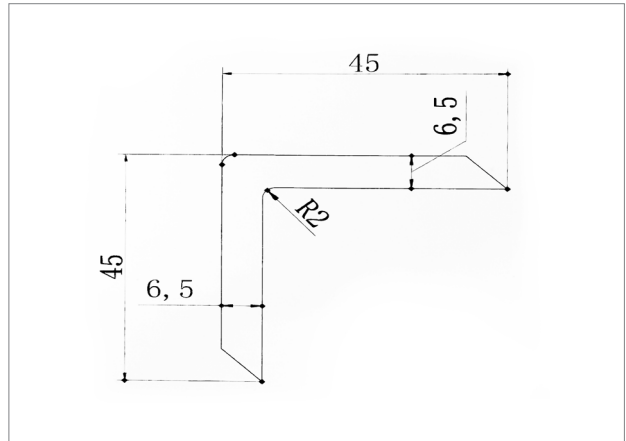
TRITON WPC DECKING

PROFILE DRAWINGS

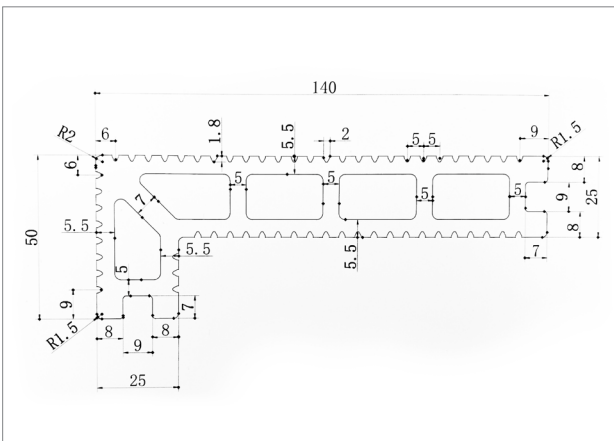
WPC DECK BOARD



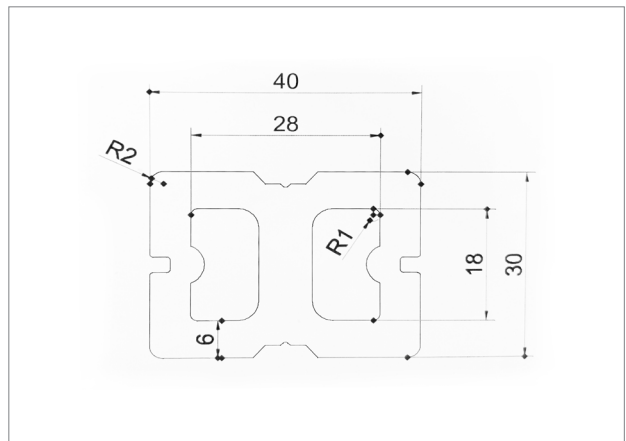
WPC ANGLE TRIM



WPC STEP BOARD



WPC SUBFRAME



CLIP DESCRIPTION

MEASUREMENTS (LENGTH x WIDTH x THICKNESS)

PVC Fixing Clip

31 mm x 18 mm x 11 mm

Intermediate S/S Clip

36 mm x 40 mm x 11 mm

Starter S/S Clip

27 mm x 24 mm x 10 mm