



PRODUCT DATA SHEET

POLYCARBONATE ROOFING SOLUTIONS

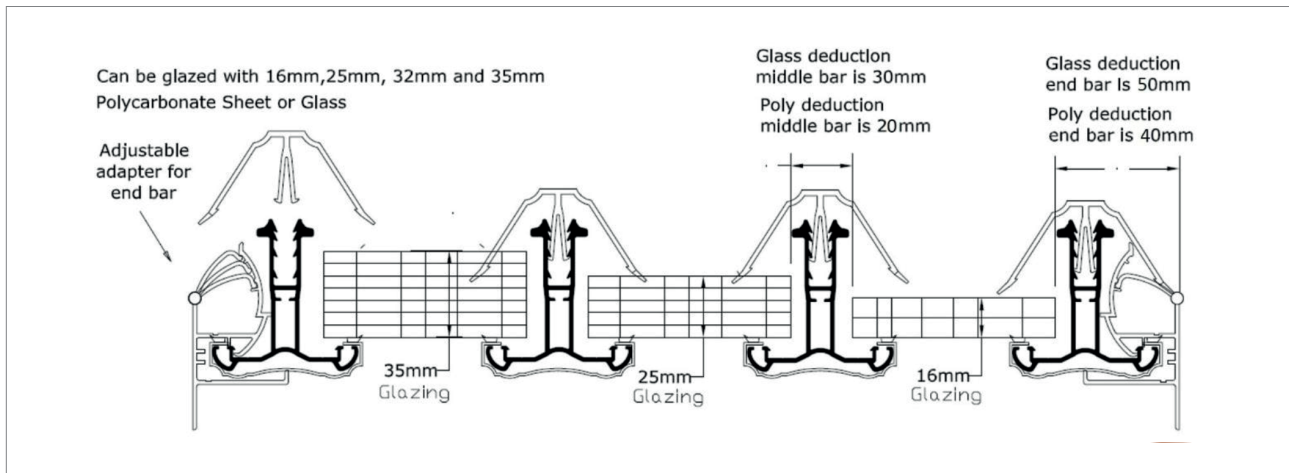


SELF SUPPORT ECONOMY GLAZING BAR

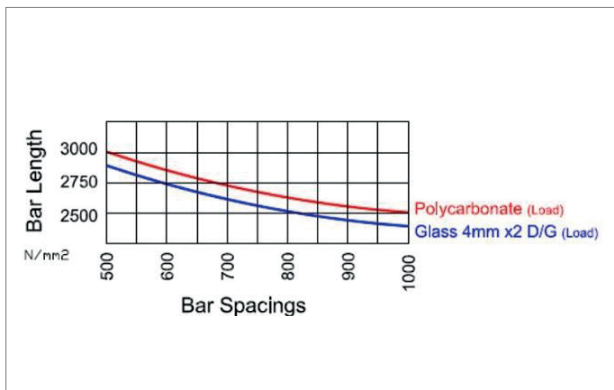
ABOUT SELF SUPPORT ECONOMY GLAZING

The Self Support Economy Glazing Bar can be glazed with 16 mm, 25 mm, 32 mm and 35 mm polycarbonate sheeting.

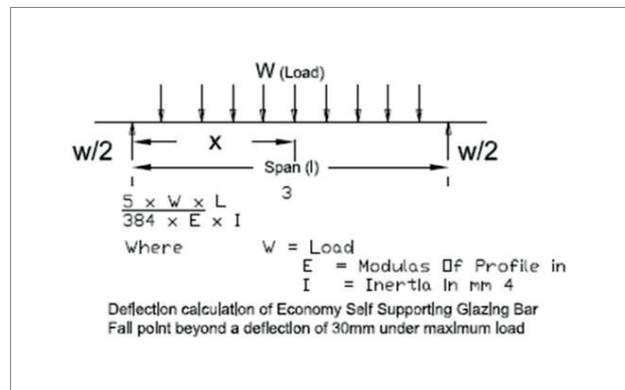
ADDITIONAL PROFILES TO SUPPORT THE HEAVY DUTY SELF SUPPORT RAFTER



BAR SNOW LOADING



Deflection is calculated with a uniform load of 60Kg/m².



The Self Support Economy Glazing Bar is supported both ends with a 622n/m² uniform load. The bar deflection is calculated at the centre of the roof.





PRODUCT DATA SHEET

POLYCARBONATE ROOFING SOLUTIONS

SELF SUPPORT ECONOMY GLAZING BAR

TECHNICAL DRAWING

